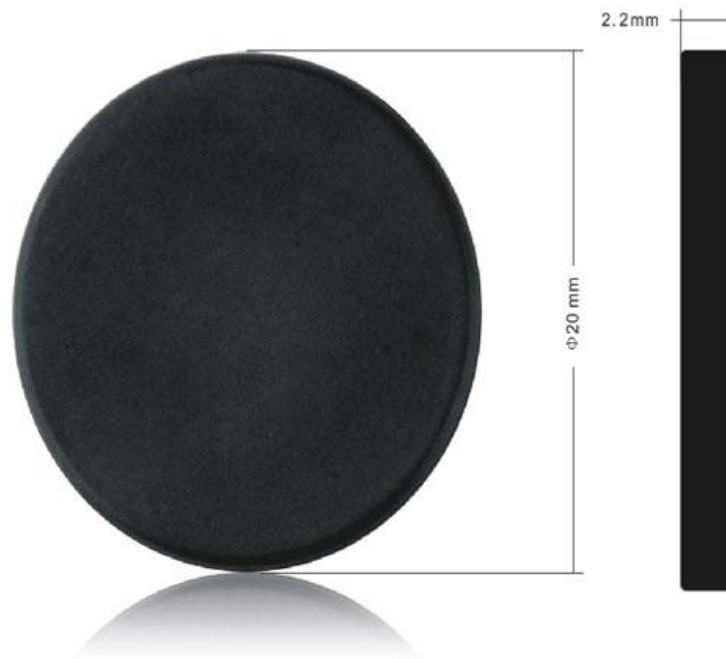


## RFID plastic coin tags for laundry industry

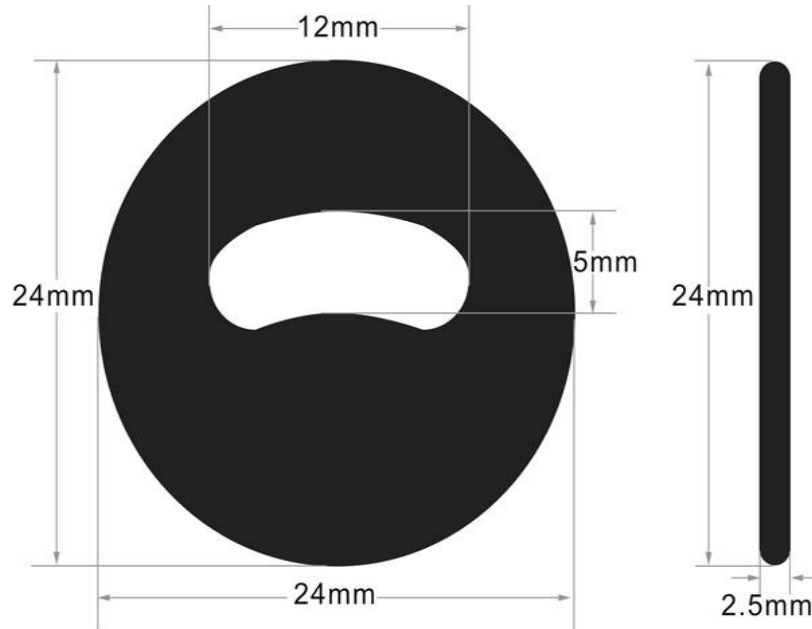


### Overview

RFID coin tag is a durable non-toxic product. Its housing is injected by plastic that can be used in high temperature and humidity operating conditions such as laundry management, car engine repair identification, chemical raw material and other extremely humid environment. It is one of the [plastic RFID tags](#).

Star Trend is one of the leading smart RFID tag manufacturers and [RFID tag suppliers](#) in China. We have a series of RFID tags for sale. We are sure that our different types of RFID tags can satisfy your needs. If you want to buy low cost RFID tags, please contact us! Custom rfid tags is available.

## Specifications



Product	RFID laundry coin tag
Housing	ABS/PPS Injection molding, black or customized color
Frequency	LF: 125 KHz HF: 13.56 MHz UHF: 840MHz to 960MHz
Chip	LF: TK4100, EM4200, EM4305, T5577, Hitag 1/2/s256 HF: FM11RF08, FM11RF32, s50, s70, MF Ultralight UHF: Alien Higgs 3, UCODE Gen2, Impinj M4
Power supply mode	Passive
Working temperature	-30C to +220C
Reading distance	0-10cm/HF, 0-10m/UHF depends on reader and antenna
Endurance	100,000 cycles

Our company provide you high-quality RFID plastic tags and we give you RFID laundry solutions.